

# LM27953

## White LED Driver with Four LED Current Sinks and 3/2x Switched Capacitor Boost

### General Description

The LM27953 is a charge-pump-based white-LED driver that is ideal for mobile phone display backlighting. It is intended to drive 4 LEDs for a main phone display backlight. Regulated internal current sources deliver excellent current and brightness matching in all LEDs.

The LED driver current sinks can be used to backlight a main phone display with up to 4 LEDs. The low-side current drivers accommodate common-anode-type LEDs. The current sinks can also drive standard two-terminal LEDs, and provide other general lighting functions (keypad lighting, fun lighting, etc). The brightness of the LEDs can be adjusted independently with an external resistor.

The LM27953 works off an extended Li-Ion input voltage range (2.7V to 5.5V). Voltage boost is achieved with a high-efficiency 3/2x-gain charge pump.

The LM27953 is available in National's chip-scale 18-bump micro SMD package.

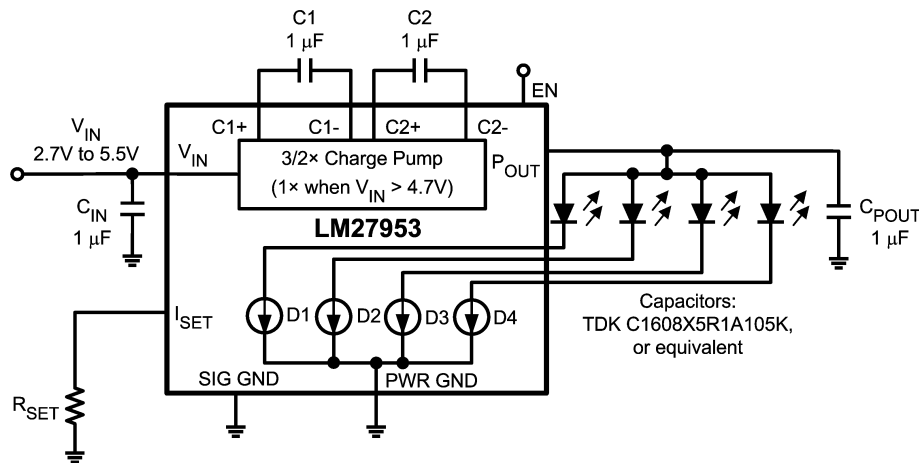
### Features

- Drives 4 Individual Common-Anode LEDs with up to 20mA each for a Main Display Backlight
- Independent Resistor-Programmable Current Setting
- Excellent Current and Brightness Matching
- High-Efficiency 3/2x Charge Pump
- Extended Li-Ion Input: 2.7V to 5.5V
- PWM Brightness Control: 100Hz - 1kHz
- 18-bump Thin Micro SMD Package: (2.1mm x 2.4mm x 0.6mm)

### Applications

- Mobile Phone Display Lighting
- Mobile Phone Keypad Lighting
- PDAs
- General LED Lighting

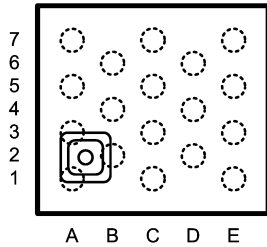
### Typical Application Circuit



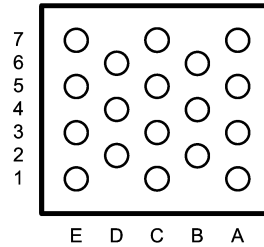
20128001

## Connection Diagram

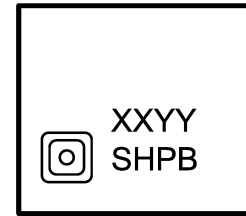
18-Bump Thin Micro SMD Package, Large Bump  
NS Package Number TLA18



Top View



Bottom View



Package Marking  
Top View

**Note:** The actual physical placement of the package marking will vary from part to part. The package marking "XX" designates the date code. "YY" is a NSC internal code for die traceability. Both will vary considerably. "SHPB" identifies the device (part number, option, etc.).

20128002

## Pin Description

Pin #s	Pin Names	Pin Descriptions
C1	$V_{IN}$	Input voltage. Input range: 2.7V to 5.5V.
D2	PWR GND	Power Ground
A3	PWR $P_{OUT}$	Charge pump output. Approximately $1.5 \times V_{IN}$
A1, B2, A5, E1	C1+, C1-, C2+, C2-	Flying capacitor connections.
D6, E5, D4, E3	D1, D2, D3, D4	LED Outputs - Group A
C5, B4, C3	SIG $P_{OUT}$	Signal $P_{OUT}$ : Tie pins externally to PWR $P_{OUT}$
B6	EN	Enable for Charge Pump and LEDs (current outputs). Logic input. High = LEDs ON. Low = LEDs OFF. Pulsing this pin with a PWM signal (100Hz-1kHz) can be used to dim LEDs.
A7	SIG GND	Signal Ground. Tie pin externally to PWR GND
E7	$I_{SET}$	Placing a resistor ( $R_{SET}$ ) between this pin and GND sets the LED current. LED Current = $100 \times (1.25V \div R_{SET})$ .
C7	NC	No Connect

## Operational States

EN	Mode of Operation
L	Shutdown
H	Charge Pump Enabled. LEDs ON.

## Ordering Information

Order Information	Package	Supplied As
LM27953TL	TLA18 Micro SMD	250 Units, Tape & Reel
LM27953TLX		3000 Units, Tape & Reel

**Absolute Maximum Ratings** (Notes 1, 2)

If Military/Aerospace specified devices are required, please contact the National Semiconductor Sales Office/Distributors for availability and specifications.

$V_{IN}$ pin voltage	-0.3V to 7.1V
EN pin voltages	-0.3V to ( $V_{IN}+0.3V$ ) w/ 6.0V max
$I_{Dx}$ Pin Voltages	-0.3V to ( $V_{POUT}+0.3V$ ) w/ 6.0V max
Continuous Power Dissipation (Note 3)	Internally Limited
Junction Temperature ( $T_{J-MAX}$ )	150°C
Storage Temperature Range	-65°C to +150° C
Maximum Lead Temperature (Soldering, 10 sec.)	265°C
ESD Rating (Note 4)	
Human Body Model - $I_{Dx}$ Pins:	1.0kV
Human Body Model - All other Pins:	2.0kV
Machine Model - $I_{Dx}$ Pins:	100V
Machine Model - All Other Pins:	200V

**Electrical Characteristics** (Notes 2, 7)

Limits in standard typeface are for  $T_J = 25^\circ\text{C}$ , and limits in boldface type apply over the full operating temperature range. Unless otherwise specified:  $V_{IN} = 3.6V$ ;  $V_{Dx} = 0.6V$ ;  $EN = 1.5V$ ;  $R_{SET} = 8.35k\Omega$ ;  $C_{IN}$ ,  $C_1$ ,  $C_2$ , and  $C_{POUT} = 1\mu\text{F}$ . (Note 8)

Symbol	Parameter	Condition	Min	Typ	Max	Units
$I_{Dx}$	Output Current Regulation	$3.0V \leq V_{IN} \leq 4.2V$ , and $V_{IN} = 5.5V$ $0.45V \leq V_{Dx} \leq 3.8V$ $R_{SET} = 8.35k\Omega$	<b>13.5</b> <b>(-10%)</b>	15	<b>16.5</b> <b>(+10%)</b>	mA (%)
		$3.0V \leq V_{IN} \leq 5.5V$ ; $0.6V \leq V_{Dx} \leq 3.8V$ $R_{SET} = 6.25k\Omega$		20		mA
		$3.0V \leq V_{IN} \leq 5.5V$ ; $0.3V \leq V_{Dx} \leq 3.8V$ $R_{SET} = 12.5k\Omega$		10		mA
		$2.7V \leq V_{IN} \leq 3.0V$ ; $0.45V \leq V_{Dx} \leq 3.8V$ $R_{SET} = 8.35k\Omega$		15		mA
$I_{Dx-MATCH}$	Current Matching Between Outputs	$V_{IN} = 3.0V$ (Note 9)		0.6		%
$I_Q$	Quiescent Supply Current	$2.7V \leq V_{IN} \leq 4.2V$ ; No Load Current, EN = ON		4.4	<b>6.75</b>	mA
$I_{SD}$	Shutdown Supply Current	$2.7V \leq V_{IN} \leq 5.5V$ , ENA OFF		2.3	<b>5</b>	$\mu\text{A}$
$V_{SET}$	$I_{SET}$ Pin Voltage	$2.7V \leq V_{IN} \leq 5.5V$		1.25		V
$I_{Dx}/I_{SET}$	Output Current to Current Set Ratio			100		
$R_{OUT}$	Charge Pump Output Resistance (Note 10)	$V_{IN} = 3.0V$		2.7		$\Omega$
$V_{HR}$	Current Source Headroom Voltage Requirement (Note 11)	$I_{Dx} = 95\% \times I_{Dx}(\text{nom})$ $R_{SET} = 8.35k\Omega$ ( $I_{Dx}(\text{nom}) \approx 15\text{mA}$ )		320		mV
$f_{SW}$	Switching Frequency	$3.0V \leq V_{IN} \leq 4.2V$	<b>375</b>	500	<b>625</b>	kHz

**Operating Rating** (Notes 1, 2)

Input Voltage Range	2.7V to 5.5V
Junction Temperature ( $T_J$ ) Range	-30°C to +125°C
Ambient Temperature ( $T_A$ ) Range (Note 5)	-30°C to +85°C

**Thermal Properties**

Junction-to-Ambient Thermal Resistance ( $\theta_{JA}$ ), (Note 6)	100°C/W
--	---------

## Electrical Characteristics (Notes 2, 7) (Continued)

Limits in standard typeface are for  $T_J = 25^\circ\text{C}$ , and limits in boldface type apply over the full operating temperature range. Unless otherwise specified:  $V_{IN} = 3.6\text{V}$ ;  $V_{Dx} = 0.6\text{V}$ ;  $EN = 1.5\text{V}$ ;  $R_{SET} = 8.35\text{k}\Omega$ ;  $C_{IN}$ ,  $C_1$ ,  $C_2$ , and  $C_{POUT} = 1\mu\text{F}$ . (Note 8)

Symbol	Parameter	Condition	Min	Typ	Max	Units
$t_{START}$	Start-up Time	$I_{Dx} = 90\%$ steady state		350		$\mu\text{s}$
1.5x/1x	Charge pump gain cross-over: Gain = 1.5 when $V_{IN}$ is below threshold. Gain = 1 when $V_{IN}$ is above threshold.	1.5x to 1x Threshold		4.75		V
		1x to 1.5x Threshold		4.55		V
<b>Logic Pin Specifications: EN</b>						
$V_{IL}$	Input Logic Low	$2.7\text{V} \leq V_{IN} \leq 5.5\text{V}$	<b>0</b>		<b>0.5</b>	V
$V_{IH}$	Input Logic High	$2.7\text{V} \leq V_{IN} \leq 5.5\text{V}$	<b>1.1</b>		<b><math>V_{IN}</math></b>	V
$I_{LEAK}$	Input Leakage Current	$V_{EN} = 0\text{V}$		0.1		$\mu\text{A}$
		$V_{EN} = 3\text{V}$ (Note 12)		10		

**Note 1:** Absolute Maximum Ratings indicate limits beyond which damage to the component may occur. Operating Ratings are conditions under which operation of the device is guaranteed. Operating Ratings do not imply guaranteed performance limits. For guaranteed performance limits and associated test conditions, see the Electrical Characteristics tables.

**Note 2:** All voltages are with respect to the potential at the GND pin.

**Note 3:** Internal thermal shutdown circuitry protects the device from permanent damage. Thermal shutdown engages at  $T_J = 160^\circ\text{C}$  (typ.) and disengages at  $T_J = 120^\circ\text{C}$  (typ.). The thermal shutdown function is guaranteed by design.

**Note 4:** The Human body model is a 100pF capacitor discharged through a 1.5k $\Omega$  resistor into each pin. The machine model is a 200pF capacitor discharged directly into each pin. MIL-STD-883 3015.7

**Note 5:** In applications where high power dissipation and/or poor package thermal resistance is present, the maximum ambient temperature may have to be derated. Maximum ambient temperature ( $T_{A-MAX}$ ) is dependent on the maximum operating junction temperature ( $T_{J-MAX-OP} = 125^\circ\text{C}$ ), the maximum power dissipation of the device in the application ( $P_{D-MAX}$ ), and the junction-to ambient thermal resistance of the part/package in the application ( $\theta_{JA}$ ), as given by the following equation:  $T_{A-MAX} = T_{J-MAX-OP} - (\theta_{JA} \times P_{D-MAX})$ .

**Note 6:** Junction-to-ambient thermal resistance is highly dependent on application and board layout. In applications where high maximum power dissipation exists, special care must be paid to thermal dissipation issues in board design.

**Note 7:** Min and Max limits are guaranteed by design, test, or statistical analysis. Typical numbers are not guaranteed, but do represent the most likely norm.

**Note 8:**  $C_{IN}$ ,  $C_{POUT}$ ,  $C_1$ , and  $C_2$ : Low-ESR Surface-Mount Ceramic Capacitors (MLCCs) used in setting electrical characteristics

**Note 9:** For the group of outputs on a part, the following are determined: the maximum output current in the group (MAX), the minimum output current in the group (MIN), and the average output current of the group (AVG). For the group, two matching numbers are calculated: (MAX-AVG)/AVG and (AVG-MIN)/AVG. The largest number of the two (worst case) is considered the matching figure for the group. The typical specification provided is the most likely norm of the matching figure for all parts.

**Note 10:** Output resistance ( $R_{OUT}$ ) models all voltage losses in the charge pump.  $R_{OUT}$  can be used to estimate the voltage at the charge pump output ( $P_{OUT}$ ):  $V_{Pout} = (1.5 \times V_{IN}) - (R_{OUT} \times I_{OUT})$ . In the equation,  $I_{OUT}$  is the total output current: the sum of all active Dxx output currents and all current drawn from  $P_{OUT}$ . The equation applies when the charge pump is operating with a gain of 3/2 ( $V_{IN} \leq 4.75\text{V}$  typ.).

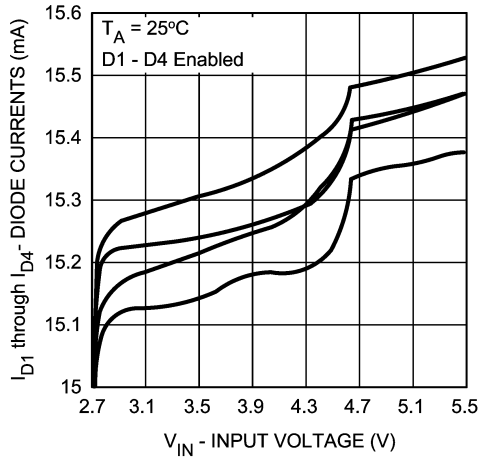
**Note 11:** Headroom voltage:  $V_{HR} = V_{Pout} - V_{LEDx}$ . If headroom voltage requirement is not met, LED current regulation will be compromised.

**Note 12:** There is a 300k $\Omega$ (typ.) pull-down resistor connected internally between the enable pin (EN) and GND.

# Typical Performance Characteristics

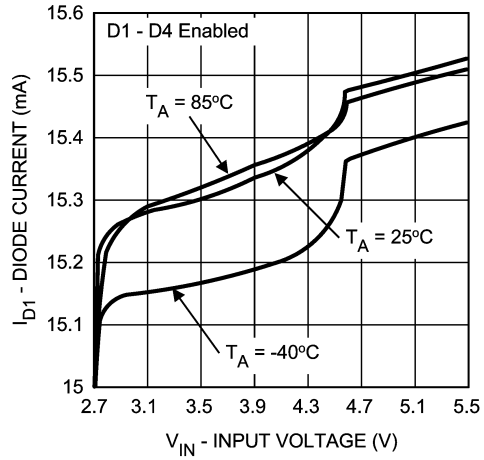
Unless otherwise specified:  $V_{IN} = 3.6V$ ;  $V_{LED} = 3.6V$ ;  $EN = V_{IN}$ ;  $R_{SET} = 8.35k\Omega$ ;  $C_{IN}$ ,  $C_1$ ,  $C_2$ , and  $C_{POUT} = 1\mu F$ .

**LED Current (D1, D2, D3, D4) vs. Input Voltage**



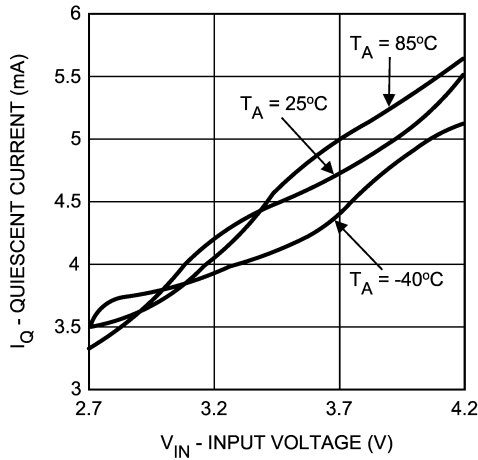
20128004

**LED Current (Dx) vs. Input Voltage**



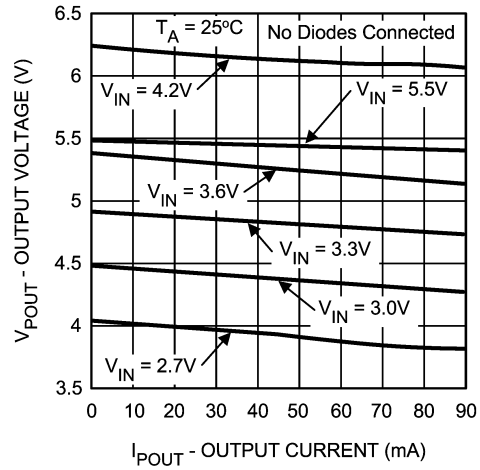
20128005

**Quiescent Current vs. Input Voltage,**



20128006

**Charge Pump Output Voltage vs. Output Current**

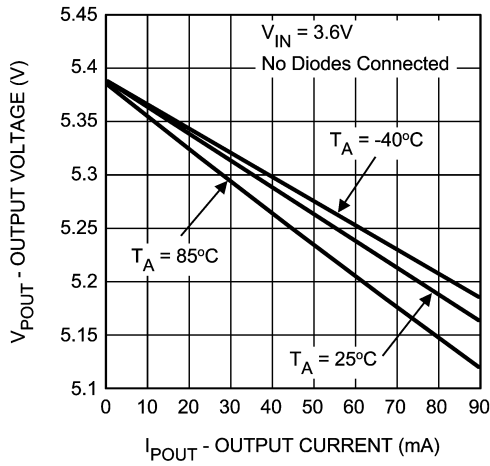


20128007

# Typical Performance Characteristics

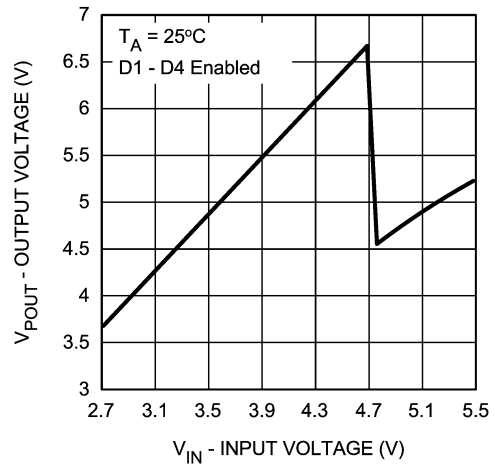
Unless otherwise specified:  $V_{IN} = 3.6V$ ;  $V_{LED} = 3.6V$ ;  $EN = V_{IN}$ ;  $R_{SET} = 8.35k\Omega$ ;  $C_{IN}$ ,  $C_1$ ,  $C_2$ , and  $C_{POUT} = 1\mu F$ . (Continued)

**Charge Pump Output Voltage vs. Output Current**



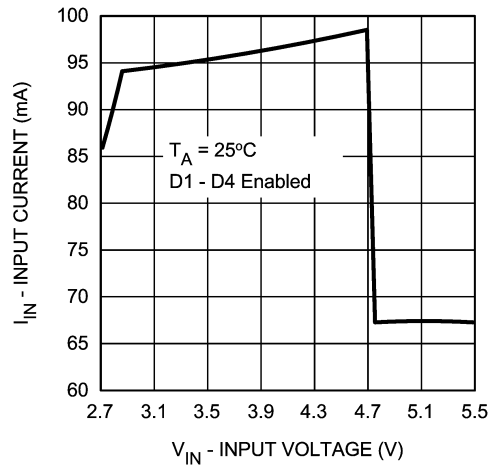
20128010

**Charge Pump Output Voltage vs. Input Voltage (No Load Current)**



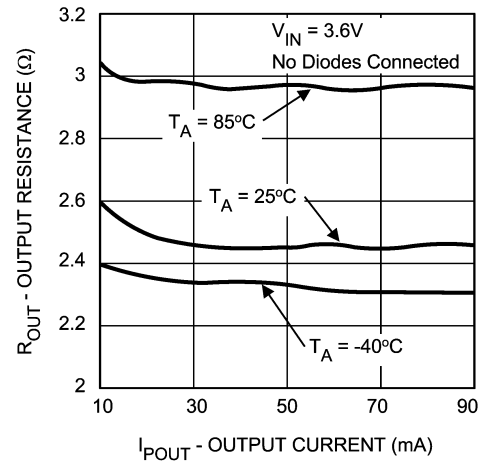
20128008

**Input Current vs. Input Voltage**



20128009

**Charge Pump Output Resistance vs Output Current**

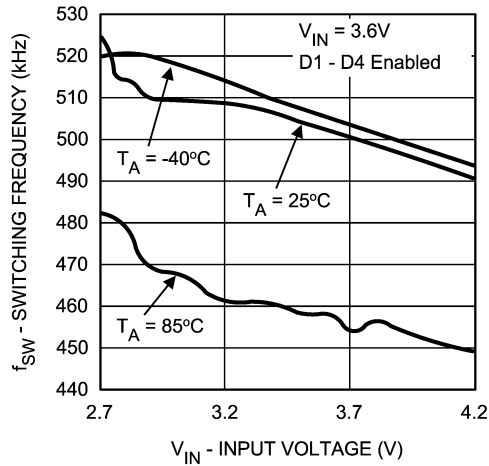


20128011

### Typical Performance Characteristics

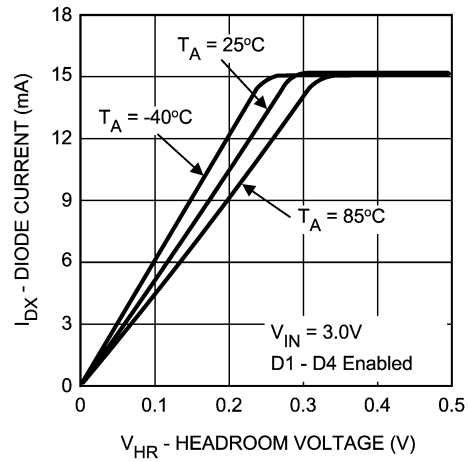
Unless otherwise specified:  $V_{IN} = 3.6V$ ;  $V_{LED} = 3.6V$ ;  $EN = V_{IN}$ ;  $R_{SET} = 8.35k\Omega$ ;  $C_{IN}$ ,  $C_1$ ,  $C_2$ , and  $C_{POUT} = 1\mu F$ . (Continued)

**Charge Pump Switching Frequency vs. Input Voltage**



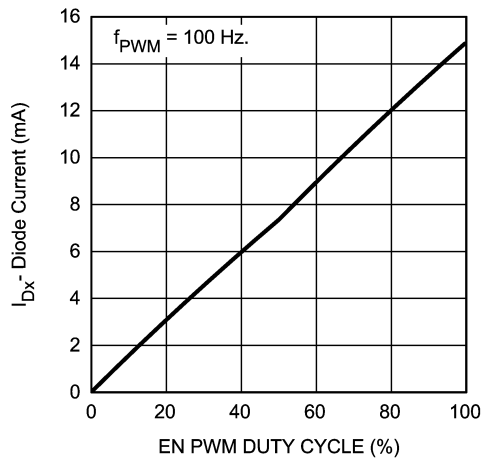
20128012

**Diode Current (Dx) vs. Headroom Voltage (Dx)**



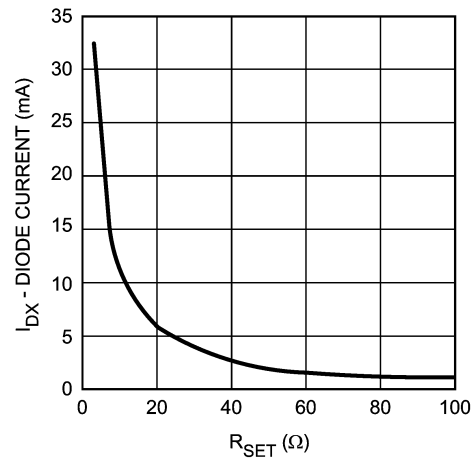
20128013

**Diode Current (Dx) vs. PWM Duty Cycle (EN)**



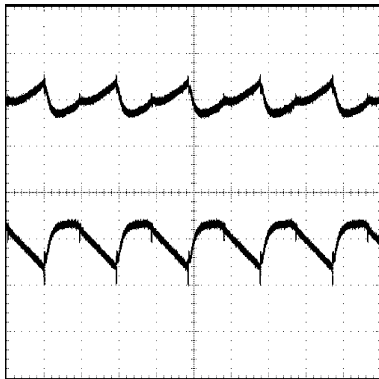
20128015

**Diode Current (Dx) vs. R\_SET**



20128016

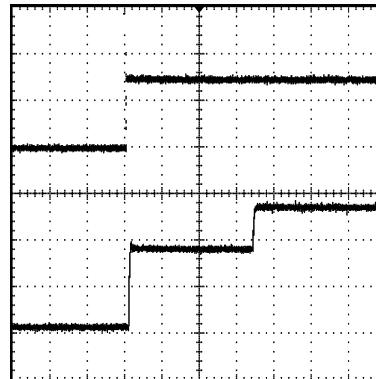
**Input Voltage (Top) and Output Voltage (Bottom) Waveforms**



20128017

Vertical Scale = (100mV/div),  
Horizontal Scale = 1μs/div

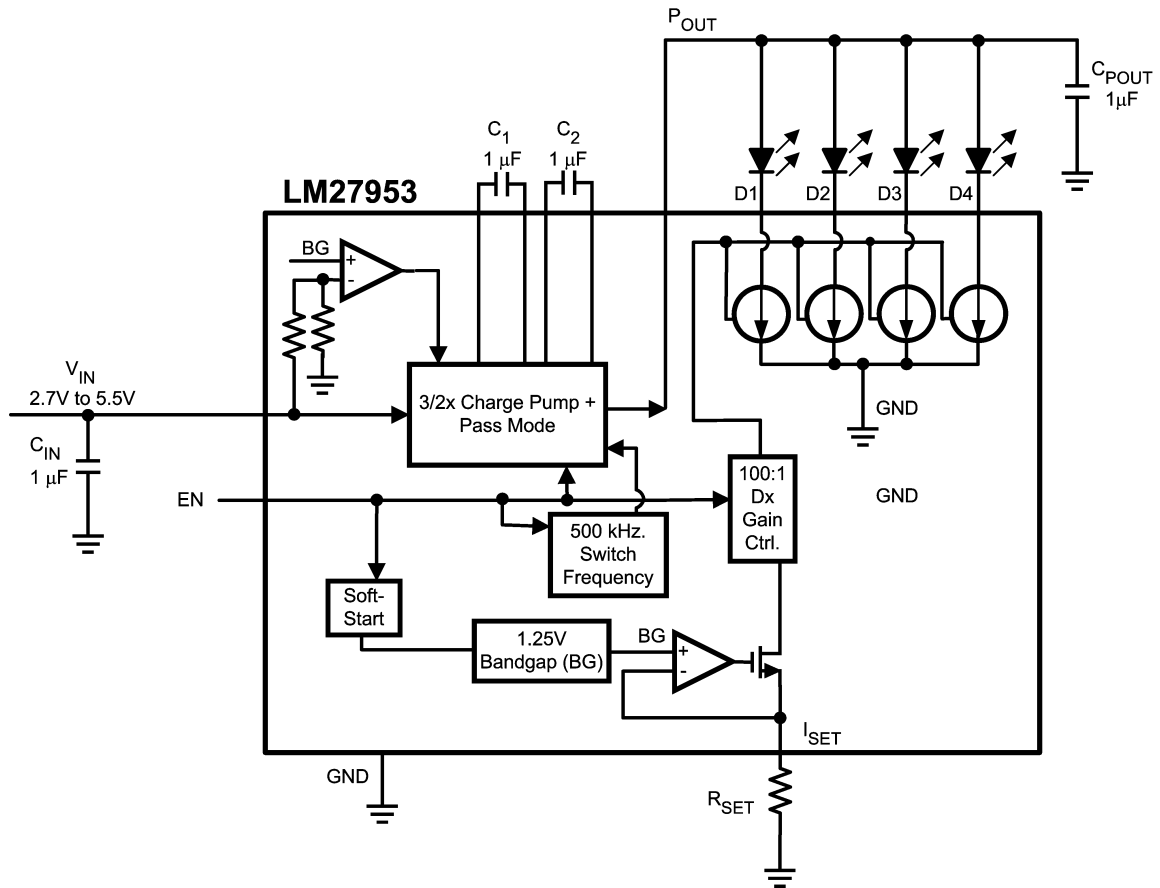
**EN Signal (Top) and Charge Pump Start-Up (Bottom) Waveforms**



20128018

Vertical Scale = (2V/div),  
Horizontal Scale = 100μs/div

## Block Diagram



20128003

## Circuit Description

### OVERVIEW

The LM27953 is primarily intended for Lithium-Ion battery driven white-LED drive applications, and is well suited to drive white LEDs that are used for backlighting small-format displays. The part has four matched constant-current outputs, each capable of driving up to 20mA (or more) through white LEDs. The well-matched current sources ensure the current through all the LEDs is virtually identical. This keeps brightness of all LEDs matched to near perfection so that they can provide a consistent backlight over the entire display.

### CHARGE PUMP

The core of the LM27953 is a 1.5x/1x dual-mode charge pump. The input of the charge pump is connected to the  $V_{IN}$  pin. The recommended input voltage range of the LM27953 is 2.7V to 5.5V. The output of the charge pump is the  $P_{OUT}$  pin ("Pump OUTput"). The output voltage of the charge pump is unregulated and varies with input voltage and load current.

The charge pump operates in the 1.5x mode when the input voltage is below 4.75V (typ.). In this mode, the input-to-output voltage gain of the charge pump is 1.5, and the voltage at the output of the charge pump will be approximately 1.5x the input voltage ( $V(P_{OUT}) \approx 1.5 * V_{IN}$ ). When in the 1.5x mode, the charge pump provides the voltage boost that is required to drive white LEDs from a Li-Ion battery.

(White LEDs typically have a forward voltage in the range of 3.3V to 4.0V. A Li-Ion battery typically is not considered to be fully discharged until the battery voltage falls to 3.0V (approx.) )

The charge pump operates in the 1x mode when the input voltage is above 4.75V (typ.). In these conditions, voltage boost is not required to drive the LEDs, so the charge pump merely passes the input voltage to  $P_{OUT}$  ( $V(P_{OUT}) \approx V_{IN}$ ). This reduces the input current and the power dissipation of the LM27953 when the input voltage is high.

### REGULATED CURRENT OUTPUTS

The matched current outputs are generated with a precision current mirror that is biased off the charge pump output. Matched currents are ensured with the use of tightly matched internal devices and internal mismatch cancellation circuitry.

There are four regulated common anode current outputs. There is an ON/OFF control pin for the group (EN).

The DC current through the LEDs is programmed with an external resistor. Changing currents on-the-fly can be achieved with the use of digital pulse (PWM) signals.

### ENABLE PIN: EN

The LM27953 has an enable pin that has active-high logic (HIGH = ON). There is an internal pull-down resistor (300kΩ typ.) that is connected internally between the enable pin and GND.



## Circuit Description (Continued)

When the voltage on the EN pin is low (<0.5V), the part is in shutdown mode. All internal circuitry is OFF and the part consumes very little supply current when the LM27953 is shutdown. When the voltage on the EN pin is high (>1.1V), the part is active. The charge pump is ON, and the corresponding output current drivers are active.

EN is also used to turn the output currents ON and OFF.

### SETTING LED CURRENTS

The output currents of the LM27953 can be set to a desired value simply by connecting an appropriately sized resistor ( $R_{SET}$ ) between the  $I_{SET}$  pin of the LM27953 and GND. The output currents (LED currents) are proportional to the current that flows out of the  $I_{SET}$  pin. The output currents are a factor of 100 greater than the  $I_{SET}$  current. The feedback loop of an internal amplifier sets the voltage of the  $I_{SET}$  pin to 1.25V (typ.). Placing a resistor between  $I_{SET}$  and GND programs the  $I_{SET}$  current, and thus the LED currents. The statements above are simplified in the equations below:

$$I_{Dx} = 100 \times (V_{SET} / R_{SET})$$

$$R_{SET} = 100 \times (1.25V / I_{Dx})$$

### MAXIMUM OUTPUT CURRENT, MAXIMUM LED VOLTAGE, MINIMUM INPUT VOLTAGE

The LM27953 can drive 4 LEDs at 15mA each from an input voltage as low as 2.7V, so long as the LEDs have a forward voltage of 3.5V or less (room temperature).

The statement above is a simple example of the LED drive capabilities of the LM27953. The statement contains the key application parameters that are required to validate an LED-drive design using the LM27953: LED current ( $I_{LEDx}$ ), number of active LEDs (N), LED forward voltage ( $V_{LED}$ ), and minimum input voltage ( $V_{IN-MIN}$ ).

The equation below can be used to estimate the total output current capability of the LM27953:

$$I_{LED\_MAX} = ((1.5 \times V_{IN}) - V_{LED}) / ((N \times R_{OUT}) + k_{HR}) \quad (\text{eq. 1})$$

$$I_{LED\_MAX} = ((1.5 \times V_{IN}) - V_{LED}) / ((N \times 2.7\Omega) + 22\text{mV/mA})$$

$R_{OUT}$  – Output resistance. This parameter models the internal losses of the charge pump that result in voltage droop at the pump output  $P_{OUT}$ . Since the magnitude of the voltage droop is proportional to the total output current of the charge pump, the loss parameter is modeled as a resistance. The output resistance of the LM27953 is typically  $2.7\Omega$  ( $V_{IN} = 3.0V$ ,  $T_A = 25^\circ\text{C}$ ). In equation form:

$$V_{POUT} = 1.5 \times V_{IN} - N \times I_{LED} \times R_{OUT} \quad (\text{eq. 2})$$

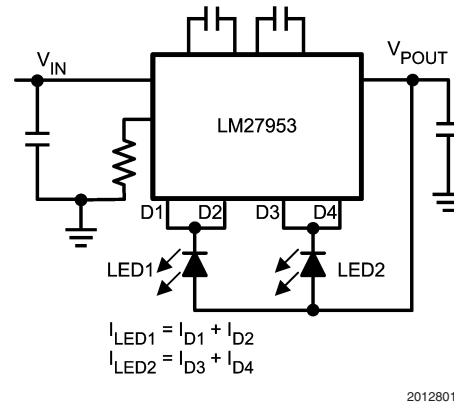
$k_{HR}$  – Headroom constant. This parameter models the minimum voltage required to be present across the current sources for them to regulate properly. This minimum voltage is proportional to the programmed LED current, so the constant has units of mV/mA. The typical  $k_{HR}$  of the LM27953 is 22mV/mA. In equation form:

$$(V_{POUT} - V_{LED}) > k_{HR} \times I_{LED} \quad (\text{eq. 3})$$

The " $I_{LED-MAX}$ " equation (eq. 1) is obtained from combining the  $R_{OUT}$  equation (eq. 2) with the  $k_{HR}$  equation (eq. 3) and solving for  $I_{LED}$ . Maximum LED current is highly dependent on minimum input voltage and LED forward voltage. Output current capability can be increased by raising the minimum input voltage of the application, or by selecting an LED with a lower forward voltage. Excessive power dissipation may also limit output current capability of an application.

### PARALLEL Dx OUTPUTS FOR INCREASED CURRENT CAPABILITY

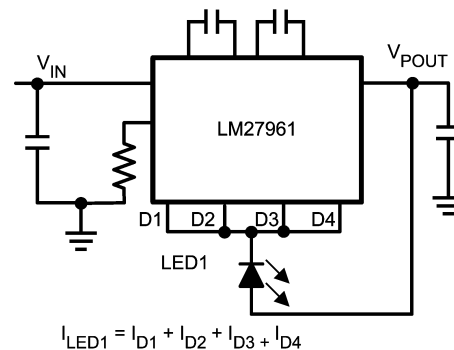
Outputs D1 through D4 may be connected together in any combination to drive higher currents through fewer LEDs. For example in *Figure 1*, outputs D1A and D2A are connected together to drive one LED. D3A and D4A are connected to drive a second LED.



20128019

FIGURE 1. Two Parallel Connected LEDs

With this configuration, two parallel current sources of equal value provide current to one of the LEDs.  $R_{SET}$  should therefore be chosen so that the current through each output is programmed to 50% of the desired current through the parallel connected LED. For example, if 40mA is the desired drive current for the parallel connected LED,  $R_{SET}$  should be selected so that the current through each of the outputs is 20mA. Other combinations of parallel outputs may be implemented in similar fashions, such as in *Figure 2*.



20128020

FIGURE 2. One Parallel Connected LED

Connecting outputs in parallel does not affect internal operation of the LM27953 and has no impact on the Electrical Characteristics and limits previously presented. The available diode output current, maximum diode voltage, and all other specifications provided in the Electrical Characteristics table apply to parallel output configurations, just as they do to the standard application circuit on pg1 of the datasheet.

### SOFT START

The LM27953 contains internal soft-start circuitry to limit input inrush currents when the part is enabled. Soft start is implemented with a controlled turn-on of the internal voltage reference. During soft start, the current through the LED

## Circuit Description (Continued)

outputs rise at the rate of the reference voltage ramp. Due to the soft-start circuitry, turn-on time of the LM27953 is approximately 350µs (typ.).

### THERMAL PROTECTION

Internal thermal protection circuitry disables the LM27953 when the junction temperature exceeds 160°C (typ.). This feature protects the device from being damaged by high die temperatures that might otherwise result from excessive power dissipation. The device will recover and operate normally when the junction temperature falls below 120°C (typ.). It is important that the board layout provides good thermal conduction. This will help to keep the junction temperature within specified operating ratings.

## Applications Information

### POWER EFFICIENCY

Efficiency of LED drivers is commonly taken to be the ratio of power consumed by the LEDs ( $P_{LED}$ ) to the power drawn at the input of the part ( $P_{IN}$ ). With a 1.5x charge pump, the input current is approximately 1.5x the output current (total LED current). For a simple approximation, the current consumed by internal circuitry can be neglected and the efficiency of the LM27953 can be predicted as follows:

$$E = \frac{P_{LED}}{P_{IN}} \cong \frac{V_{LED}}{1.5 \times V_{IN}}$$

Neglecting  $I_Q$  will result in a slightly higher efficiency prediction, but this impact will be no more than a few percentage points when several LEDs are driven at full power.

### ADJUSTING LED BRIGHTNESS (PWM control)

Perceived LED brightness can be adjusted using a PWM control signal to turn the LM27953 current sources ON and OFF at a rate faster than perceptible by the eye. When this is done, the total brightness perceived is proportional to the duty cycle (D) of the PWM signal (D = the percentage of time that the LED is on in every PWM cycle). A simple example: if the LEDs are driven at 15mA each with a PWM signal that has a 50% duty cycle, perceived LED brightness will be about half as bright as compared to when the LEDs are driven continuously with 15mA. A PWM signal thus provides brightness (dimming) control for the solution.

The minimum recommended PWM frequency is 100Hz. Frequencies below this may be visibly noticeable as flicker or blinking. The maximum recommended PWM frequency is 1kHz. Frequencies above this may cause interference with internal current driver circuitry.

In cases where a PWM signal must be connected to the EN pin, measures can be taken to reduce the magnitude of the

charge-pump turn-on voltage spikes. More input capacitance, series resistors and/or ferrite beads may provide benefits.

If the current and voltage spikes can be tolerated, connecting the PWM signal to the EN pin does provide a benefit: lower supply current when the PWM signal is active. When the PWM signal is low, the LM27953 will be shutdown and input current will only be a few micro-amps. This results in a lower time-averaged input current.

### CAPACITOR SELECTION

The LM27953 requires 4 external capacitors for proper operation. Surface-mount multi-layer ceramic capacitors are recommended. These capacitors are small, inexpensive and have very low equivalent series resistance (ESR <20mΩ typ.). Tantalum capacitors, OS-CON capacitors, and aluminum electrolytic capacitors are not recommended for use with the LM27953 due to their high ESR, as compared to ceramic capacitors.

For most applications, ceramic capacitors with X7R or X5R temperature characteristic are preferred for use with the LM27953. These capacitors have tight capacitance tolerance (as good as ±10%) and hold their value over temperature (X7R: ±15% over -55°C to 125°C; X5R: ±15% over -55°C to 85°C).

Capacitors with Y5V or Z5U temperature characteristic are generally not recommended for use with the LM27953. Capacitors with these temperature characteristics typically have wide capacitance tolerance (+80%, -20%) and vary significantly over temperature (Y5V: +22%, -82% over -30°C to +85°C range; Z5U: +22%, -56% over +10°C to +85°C range). Under some conditions, a nominal 1µF Y5V or Z5U capacitor could have a capacitance of only 0.1µF. Such detrimental deviation is likely to cause Y5V and Z5U capacitors to fail to meet the minimum capacitance requirements of the LM27953.

The voltage rating of the output capacitor should be 10V or more. All other capacitors should have a voltage rating at or above the maximum input voltage of the application.

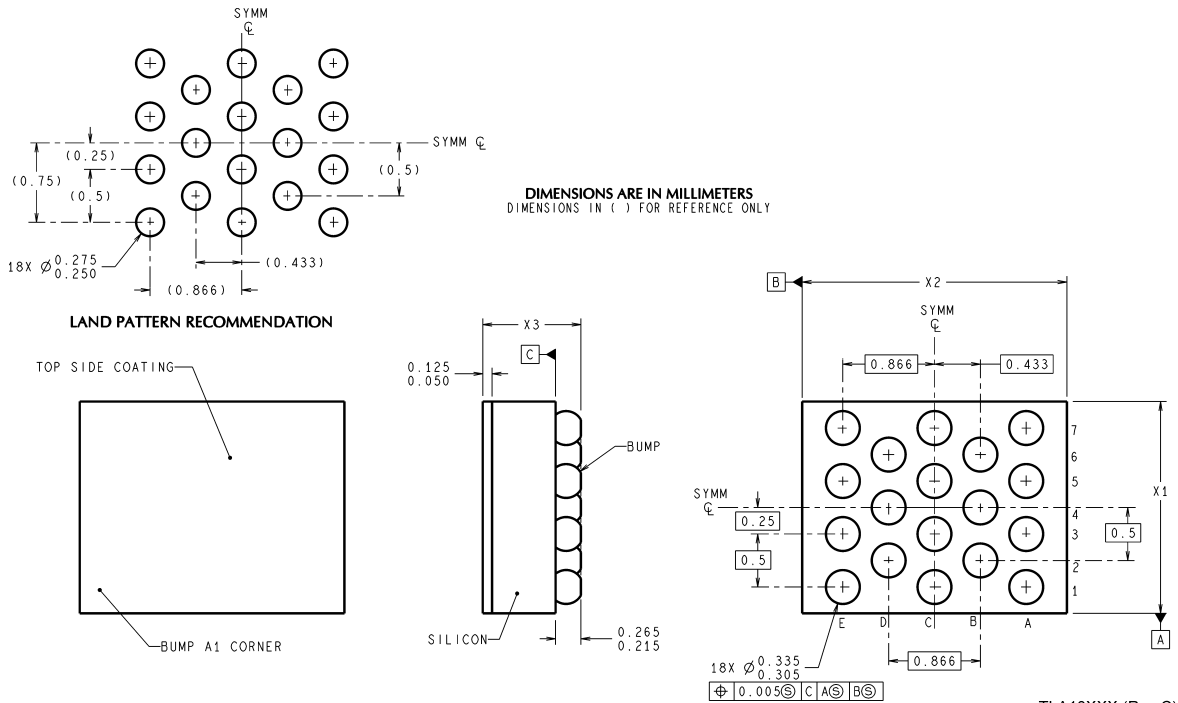
### CIRCUIT BOARD LAYOUT

For optimal, low-noise performance, all capacitors ( $C_{IN}$ ,  $C_{POUT}$ , C1, C2) should be placed very close to the LM27953. A solid ground plane should be used for IC and component GND connections. Refer to the LM27953 Evaluation Board for an example layout.

### MICRO SMD MOUNTING

The LM27953 is an 18-bump micro SMD with a bump size of approximately 300 micron diameter. The micro SMD package requires specific mounting techniques detailed in National Semiconductor Application Note 1112 (AN-1112).

**Physical Dimensions** inches (millimeters) unless otherwise noted



**TLA18EHA: 18-Bump Thin Micro SMD, Large Bump**  
**X1 = 2.098 ± 0.030mm**  
**X2 = 2.403mm ± 0.030**  
**X3 = 0.600mm ± 0.075mm**

National does not assume any responsibility for use of any circuitry described, no circuit patent licenses are implied and National reserves the right at any time without notice to change said circuitry and specifications.

For the most current product information visit us at [www.national.com](http://www.national.com).

**LIFE SUPPORT POLICY**

NATIONAL'S PRODUCTS ARE NOT AUTHORIZED FOR USE AS CRITICAL COMPONENTS IN LIFE SUPPORT DEVICES OR SYSTEMS WITHOUT THE EXPRESS WRITTEN APPROVAL OF THE PRESIDENT AND GENERAL COUNSEL OF NATIONAL SEMICONDUCTOR CORPORATION. As used herein:

1. Life support devices or systems are devices or systems which, (a) are intended for surgical implant into the body, or (b) support or sustain life, and whose failure to perform when properly used in accordance with instructions for use provided in the labeling, can be reasonably expected to result in a significant injury to the user.
2. A critical component is any component of a life support device or system whose failure to perform can be reasonably expected to cause the failure of the life support device or system, or to affect its safety or effectiveness.

**BANNED SUBSTANCE COMPLIANCE**

National Semiconductor certifies that the products and packing materials meet the provisions of the Customer Products Stewardship Specification (CSP-9-111C2) and the Banned Substances and Materials of Interest Specification (CSP-9-111S2) and contain no "Banned Substances" as defined in CSP-9-111S2.

**National Semiconductor**  
**Americas Customer Support Center**  
 Email: [new.feedback@nsc.com](mailto:new.feedback@nsc.com)  
 Tel: 1-800-272-9959

**National Semiconductor**  
**Europe Customer Support Center**  
 Fax: +49 (0) 180-530 85 86  
 Email: [europe.support@nsc.com](mailto:europe.support@nsc.com)  
 Deutsch Tel: +49 (0) 69 9508 6208  
 English Tel: +44 (0) 870 24 0 2171  
 Français Tel: +33 (0) 1 41 91 8790

**National Semiconductor**  
**Asia Pacific Customer Support Center**  
 Email: [ap.support@nsc.com](mailto:ap.support@nsc.com)

**National Semiconductor**  
**Japan Customer Support Center**  
 Fax: 81-3-5639-7507  
 Email: [jpn.feedback@nsc.com](mailto:jpn.feedback@nsc.com)  
 Tel: 81-3-5639-7560